

# DISCOUNT FUEL SERVICE

P.O. BOX 1571

LAKE RONKONKOMA, NY 11779

OIL/SERVICE: (631) 585-1233

## Service and Parts Contract

CONTRACT COVERAGE: ( ) PLAN A ( ) PLAN B ( ) PLAN C ( ) OTHER  
# ZONES \_\_\_ Starting Date: \_\_\_\_\_ Expiration Date: \_\_\_\_\_ Base amount of this contract: \_\_\_\_\_

### PLAN A - GENERAL COVERAGE @ \_\_\_\_\_ annually

#### 1. ROUTINE AND PREVENTION MAINTENANCE: One (1) annual cleaning included

- Clean base of chimney • Clean and service oil burner
- Clean flue pipe • Lubricate and oil all motors on heating system
- Clean heat exchanger • Adjustments to all controls and burner flame

#### 2. EMERGENCY SERVICE:

Emergency phone service is available with reasonable promptness, twenty-four (24) hours per day including Saturdays, Sunday, and Holidays during the heating season. (October-April)  
NORMAL SERVICE HOURS: 7:30AM-4:30AM MONDAY THROUGH FRIDAY.

#### 3. REPAIR OR REPLACEMENT OF DEFECTIVE PARTS:

During the term of this agreement, Discount Fuel Burner Service will repair or replace any of the following listed parts as applicable to your heating system:

***Single Aquastat	****Thermostat	Draft Regular
Oil Burner Components	Thermostat Relay	Cad Cell Relay
Firematic Valve	Circulator Motor	Altimeter Gauge
Oil Filter & Cartridge	Circulator Pump	Fan Belt
Emergency Switch	Circulator Coupling	Fan Control
Extrol Tank	Zone Valve Motor	Limit Control
		Blower Motor (up to 1/3 HP)

**SLUDGE CONDITIONS AND WATER PARTS NOT COVERED!** Initial: \_\_\_\_\_

### OPTIONAL COVERAGES

#### PLAN B - Circulator or Zone Valve Motor @ \$ (N/A) annually per zone

Additional Circulator Zone:

Thermostat (plain), Circulator Motor, Circulator Pump, Circulator Coupling, Circulator Relay and Zone Valve Motor

#### PLAN C - Oil Fired Water Heater @ \$ (N/A) annually

Water heater burner parts and controls (not including water tank)

**All plans are subject to the general conditions.**

## GENERAL CONDITIONS

This agreement is offered subject to inspection and approval of equipment. Any repairs required to place equipment in acceptable condition are excluded and will be charged separately.

These agreements do not include the cost of labor or materials for repairs and/or replacement resulting from wars, floods, lightning, earthquakes, storms, fire, smoke, electrical failures, strikes, riots, freeze-ups, government regulations, force majeure and/or acts of God.

Discount Fuel Burner Service shall not be liable for loss, damage or injury caused by failure to delay in performing the services outlined herein. It is the customer's responsibility to shut off the oil burner and notify Discount Fuel Burner Service immediately if there is an operational problem.

\*\* L-4006A OR 1-4006B Single Aquastat ONLY

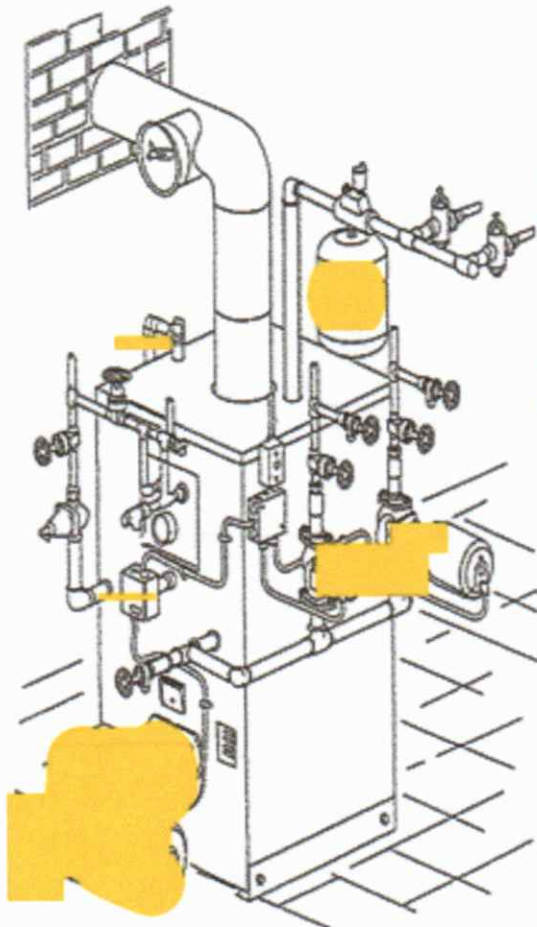
\*\* T-87 - Thermostat ONLY

The following are excluded: All switching relays and zone valve power heads

Repair or replacement of defects in hot or cold water pipes, heating system piping, radiators, baseboard convertors, boiler, furnace, domestic relief valve, electric wiring, oil feed and return lines, flue pipes, electric and manual clock thermostats, tork clocks, low water cut-off, automatic water feeder for steam system, water tempering valves, domestic water coils water tanks, relief valves, vents, humidifier plates, air filters, blower and/or blower assembly, combustible chambers, discontinued or obsolete parts, special control systems, rewiring, alterations, installing of parts not presently in the system. Also damage caused by an insufficient supply of water, by a manual or automatic water feeder failure or due to the failure of a low water cut-off.

## ALL HIGHLIGHTED PARTS ARE COVERED

\*\*L-4006A OR 1-4006B Single Aquastat ONLY



(continued)

This agreement does not cover service rendered as a result of a customer failure to replace a fuse, reset a circuit breakers set thermostat properly, turn on emergency switch, open fuel valve, bleed air, add water when needed to steam systems, oil all motors and circulator pumps, replace air filters, wix filter and drain expansion tank. Further, this agreement does not cover water leaks on any plumbing parts or piping. Service required or damage resulting from power failures: the running out of oil and operation of an attic fan is not covered. (NOTE: Simultaneous operation of an attic fan and oil burner can cause oil burner to malfunction.)

Discount Fuel Burner Service will use its best efforts to effect prompt performance of the service covered herein, but it shall have no liability for any delays of the consequences thereof. Discount Fuel Burner Service obligations and liability hereunder in rest to the manner in which this agreement is performed shall in all events be limited to correction of the condition on which the service call is based. Discount Fuel Burner Service shall incur no liability whatsoever for any soot, smoke, fire, water or freeze-up damages to owner's property as a result of services rendered.

This is a comprehensive service and parts agreement, not a guarantee. There are no promises, representations, expressed or implied other than those herein. Said agreement may be cancelled by either party on thirty (30) days written notice. In event of cancellation by the customer, no refund will be allowed on any unused portion of this agreement. Discount Fuel Burner Service reserves the right to inspect all heating systems before acceptance of said agreement for any new owner of the heating system covered herein. Prices and conditions subject to change without notice at time of renewal.

All services must be performed by Discount Fuel Burner Service representatives. During the evening hours and Saturday and Sunday and holidays only EMERGENCY service will be rendered.

Discount Fuel Burner Service and customer agree that there are no promises, terms, conditions, or obligations not herein written which is a part of this agreement. This Plan supersedes all prior service plans.

Discount Fuel Burner Service shall have the right to discontinue this contract if customer fails to comply with Discount Fuel Burner Service payment terms set forth in this contract. If Discount Fuel Burner Service exercises this right, Discount Fuel Burner Service shall not be liable for any damages, including consequential and incidental damage due to loss of heat, frozen pipes, or other occurrences resulting from cancellation on of this contract. If customer fails to comply with Discount Fuel Burner Service payment terms set forth in this contract. If Discount Fuel Burner Service does not exercise its right under this paragraph, Discount Fuel Burner Service failure to exercise its right shall not constitute a waiver of its right under this paragraph.

As a condition of this agreement you hereby agree to make any repairs outside the realm of normal service if notified in writing by Discount Fuel Burner Service.

**ALL FUEL OIL MUST BE PURCHASED BY CALLING (631) 585-1233 TO AVOID TERMINATING CONTRACT.**

---

Discount Fuel Burner Service

---

Customer or Authorized Agent

**IT IS THE CUSTOMER'S RESPONSIBILITY TO MAINTAIN PROPER FUEL SUPPLY, AND TO CHECK THAT EMERGENCY SWITCH AND CIRCUIT BREAKER IS IN THE "ON" POSITION PRIOR TO CALLING SERVICE.**